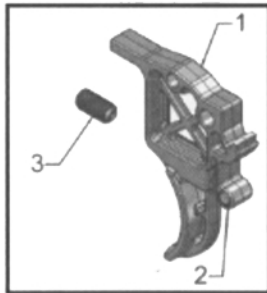
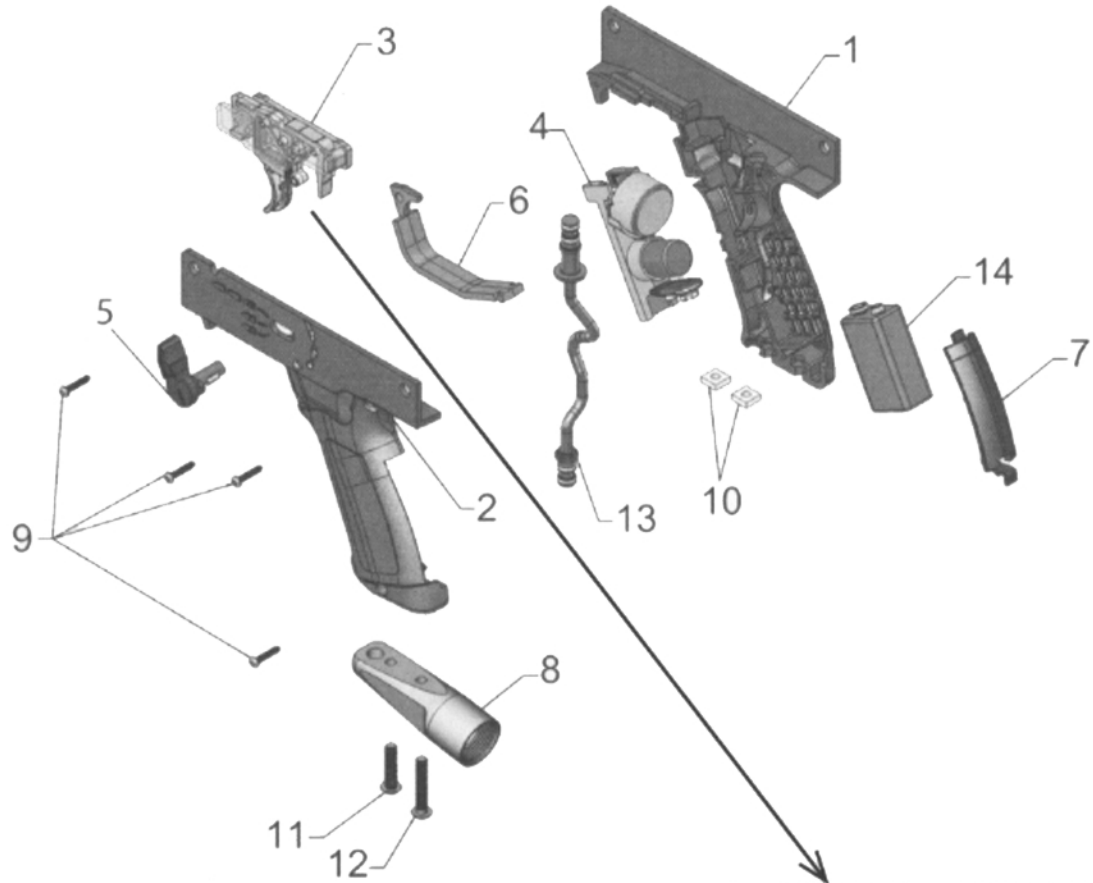


X7 Phenom parts available [HERE](http://TippmannParts.com) at TippmannParts.com

Lower Receiver Assembly →			
ITEM NO.	QTY.	PT. NO.	DESCRIPTION
1	1	TA30002	Lower Receiver, Right
2	1	TA30001	Lower Receiver, Left
3	1	N/A	Trigger Assembly Complete
4	1	TA99600	Hall Effect Electronics
5	1	TA30103	Selector Switch
6	1	02-38	Trigger Guard
7	1	TA10066	Battery Door
8	1	TA30015	Air Supply Adapter (ASA)
9	4	PL-42A	Screw
10	2	CA-08B	Nut
11	1	PL-01A	Screw, BHCS
12	1	98-06A	Screw, BHCS
13	1	TA30045	Gas Line Assembly
14	1	TA99004	9V Battery



Trigger			
ITEM NO.	QTY.	PT. NO.	DESCRIPTION
1	1	TA30010	Trigger
2	1	TA10072	Trigger Magnet
3	1	02-97	Set Screw

Trigger Assembly (item 3 above)			
ITEM NO.	QTY.	PT. NO.	DESCRIPTION
1	1	TA30100	Trigger Assembly
2	1	TA30008	Trigger Plate, Right
3	1	TA30007	Trigger Plate, Left
4	3	02-33	Dowel Pin,
5	1	TA30013	Trigger Lever
6	1	02-88	Compression Spring

