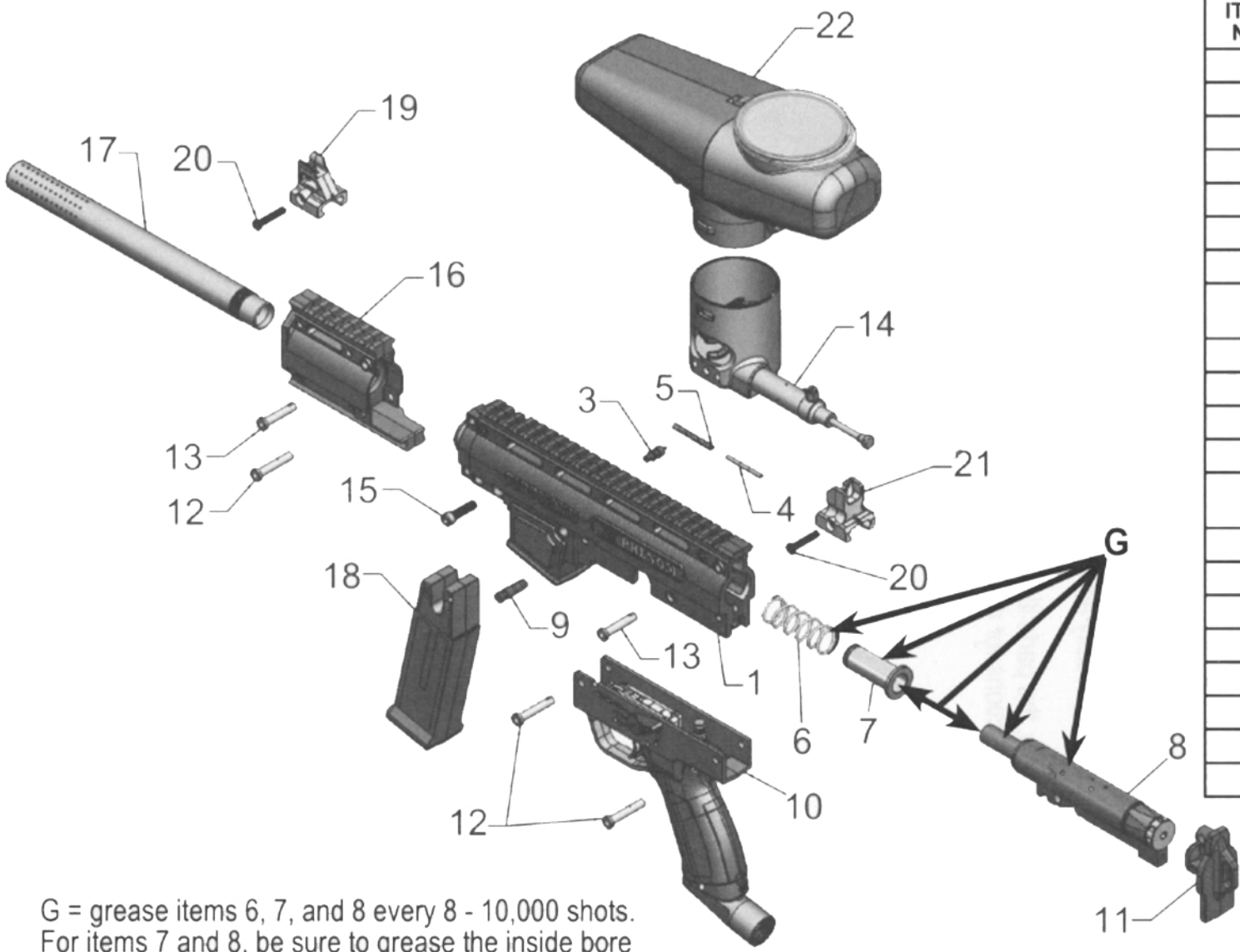


**X7 Phenom parts available
[HERE](http://TippmannParts.com) at TippmannParts.com**



Phenom Marker Assembly			
ITEM NO.	QTY.	PT. NO.	DESCRIPTION
1	1	N/A	Upper Receiver Assembly
3	1	TA30027	CFS Hose Fitting Assembly
4	1	TA05016	Hose
5	1	TA30057	Compression Spring
6	1	TA30003	Compression Spring
7	1	TA30101	Front Bolt Assembly
8	1	N/A	Valve Assembly (Complete)
9	1	TA30016	Pressure Gauge Plug Assembly
10	1	N/A	Lower Receiver Assembly
11	1	TA10038	End Cap
12	3	TA10045	Push Pin Assembly
13	2	02-PIN	Push Pin Assembly
14	1	TA30046	Cyclone Feed System Assembly (Complete)
15	1	02-41	Bolt
16	1	TA30047	Front Grip/Shroud Assembly
17	1	TA30041	Barrel
18	1	TA30004	Magazine
19	1	TA06061	Front Sight Assembly
20	2	TA07065	Bolt
21	1	TA06041	Rear Sight Assembly
22	1	TA10042	Hopper Assembly

G = grease items 6, 7, and 8 every 8 - 10,000 shots.
 For items 7 and 8, be sure to grease the inside bore
 as well as the outside of the part.